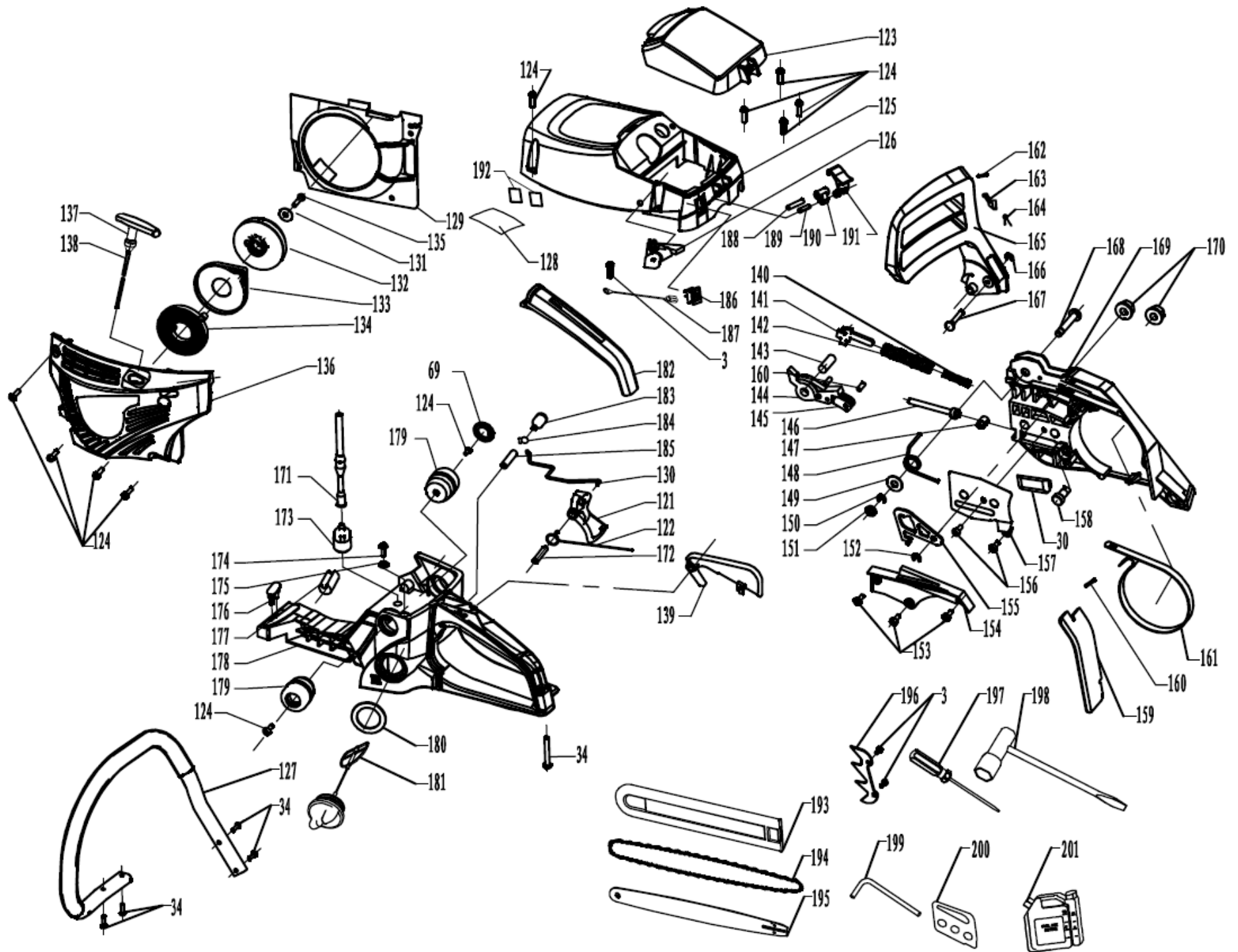


KEY	CODE	DISCRIPTION
1	5. 02.01.05001	NUT M5
2	4. 006.0031. 01	4600 SPACER
3	S. 01.06. 05121	MSxI2 SCREW
4	4.006.0012.19	5800 MUFFLER(SINGLE CATALYTIC)
5	4.019.0031.02	4600 MUFFLER GASKET
6	5. 01.16. 05871	4600 SCRE1E M5x87
7	5. 01.07. 05221	U5xI2 SCREW
8	4. 002. 0011. 22	CYLINDER Φ 43
9	4. 009. 0041. 05	SPARK PLUG_
10	4. 019. 0041. 01	4600 INTAKE GASKET
11	4. 005. 0023. 03	4600 INLET PIPE ASS'Y
12	4. 005. 0041. 01	4600 INLET PIPE GUIDE Φ 16
13	4. 019. 0021. 02	4600 CYLINDER GASKET
14	4. 004. 0041. 04	4600 CIRCLIP
15	4. 004. 0031. 04	4600 PISTON PIN Φ 11X34
16	4.004. 0051.02	4600 WASHBR ϕ 18x2.5
17	4. 004. 0021. 09	4600 PISTON RING ϕ 43
18	4. 004.0012. 04	4600 PISTON ϕ 43
19	5.08.08.11121	KIIx 15*12.5 NEEDLE BEARING
20	4.003. 0012. 04	4600/5200 CRANKSHAFT COMP.
21	5.06.01. 03101	3.0*3.7*10 WOODRUFF KEY
22	5. 01.06. 04151	M4*15 SCRBW
23	4. 014. 0051. 02	4600 OIL PUMP PIPB(O)
24	4. 014. 0012. 02	4600 OIL PUMP
25	4. 014. 0161. 02	4600 SBÄLBD SPONGE
26	4. 014. 0041. 02	4600 OIL PUMP PIPB(I)
27	4. 014. 0022. 02	4600 OIL FILTER
28	5. 01. 06. 04061	M4x6 SCREW
29	4. 014. 0081. 01	4600 OIL GUIDE PLATE
30	3. 001. 0461. 01	4600 CHAIN GUIDE
31	5. 03.03. 08261	MS »26 STUD
32	5. 01.16. 05141	M5xI4 SCREW
33	3. 001. 0641. 04	4600 DAMPER CAP
34	5. 01.05. 48162	ST4.8 SCREW
35	3. 001. 0641. 03	I600 SPRING SEAT
36	4. 013. 0011.03	4600 SPRING
37	4. 014. 0151. 01	4600 CIRCLIP
38	4. 014. 0161. 01	4600 SFONGB
39	4. 014. 0101. 01	4600 BREATHER
40	4. 010. 0021. 02	4600 TODCB BRACKET
41	4. 010. 0011. 02	4600 VEDGE

42	4. 010. 0031. 02	4600 CLUTCH SPRINC
43	4. 010. 0051. 02	4600 TODCE BRACKET WASHER
44	5. 08. 08. 12151	K12 «15*15 NEEDLE BEARING
45	4. 010. 0043. 02	4600 CLUTCH DRUM
46.1	4. 010. 0071. 01	SPROCKET 325-7
46.2	4. 010. 0071. 02	SPROCKET 3/8-7
47	4.014. 0063. 02	4600 OIL PUMP WORM
48	5. 01. 06. 041 m	M4*10 SCREW
49	4. 014. 0023. 01	4600 OIL PUMP COVER
50	5. 09. 02. 15281	4600 OIL SBAL(R)@15*@28 "5
51	5. OS. 01, 15351	BALL BBARING(fi202)
S2	4.013. 0021.13	4600 CHOKE ROD DAMPBR
S3	4. 001. 0041.02	4600 CRANICASE«)
S4	4.008. 0041.01	4600 CUSHION
55	3.001. 0343. 08	4600 CHOKE KNOB
56	4. OOS. 0151. 02	4600 UHDEi MAF
57	5. 01. 04. 05141	M5*14 SCREW
58	4. OOS. 0191.02	4600 CARBURETOR BRACKET
S9	4. 005. 0151. 01	4600 SFACGR
60	4. 019. 0051. 01	4600 ASBESTOS MAT
61	4.017.0013.13	CARBURBTOR HP16B46 (BÜII)
62	5. 01. 07. 05501	M5x50 SCRWBW
63	4. 005. 0033. 01	4600 MANIFOLD COMP
64	4. OOS. 0141. 01	4600 DAMPER
6S	5. 03, 02. 05321	M5x32 STUD
66	5.11.02.20201	O RING 20x2.0
67	4. 005. 0012. 08	5800 AIR FILTER
69	3. 001. 0641. 05	46Q0 CAP
70	4. 013. 0021. 10	4600 DAMPER
71	4. BIS. 0021. 08	4600 DUST SHIELD
72	5. 07. 02. 35001	Φ35 SNAP RING
73	5. 09. 02.15351	4600 OIL SEAL(L)@15i035]t4.5
74	4. 018. 0081. 01	4600 PLATE
75	4. 018. 0021. 01	4600 L-H GUIDE
76	4. 001. 0051. 02	4600 LOCATING PINΦ6x9
77	4. 019. 0011.02	4600 CRANKCASE GASKET
78	4. 007. 0051. 04	Φ5.7 CLIP
79	4. 007. 0041. 03	4600 VACUUM PIPB
80	4. 007. 0063. 01	4fiOQ TIIBB JOINTS
81	4. 001. 0021. 02	4600 CRAFTKCASECL)
82	4. 009. 0071. 02	5800 SPAR! RLM COVER
S3	4. 009. 0023.02	4600 IGNITION ASS'Y

84	4. 009. 0031.11	4601 CORD
85	5. 01. 07.05201	MSz20 SCREV
86	4. 014. 0091. 01	4600 OIL TAKI CAP GÄSKBT
87	3.001.0252. 02	4600 OIL TAKI CAP ASS'Y
88	5.01.06.05251	M5z2S SCREV
89	5. 02. 02.08011	NUT H8xl
90	5. OS. 02.08001	Ø8 BUSHING BRACKET
91	4. 009. 0012.02	4600 FLYVHEEL ASS'Y
92	5.01. 16.06001	4600 SHOULDER SCREW
93	4.012. 00SI. 06	4600 PAUL
94	4. 012. 0061.06	4600 SPRING
95	3.001.0323. 02	580Q LOCIBÜT
96	4. 007. 0081.01	4600 VACUUM GUIDE
97	4. 018. 0021.42	5601T eUIDB (LB)



KEY	CODE	DISCRIPTION	
121	3. 001.0201. 02	4i00 THROTTLE TRIGGER	
122	4. 008. 0021.03	4600 THROTTLB SPRING	
123	3.001.0101.27	4600 AIR FILTER COVER	
124	5. 01. 04.05141	MSxI4 SCREW	40
125	3. 001.0091. 15	4601 CYLINDER COVER	
126	4. 018.0021.04	4600 GUIDE	
127	4. 008. 0011.01	4600 FRONT HASDLB COMP.	
128	4. 018. 0041.09	4601T INSULATION AL FOIL	
129	3. 001.0141. 02	4600 FAN COVER	10
13«	4. 008.0031.02	4600 THROTTLE ROD	
131	5. 05. 01.05161	Φ5İΦ16X1 REEL WASHER	20
132	4. 012.0151.02	4600 STARTER REEL	
133	4.012. 0013.02	4fi. 0 RECOIL SPRING PLATE	
134	4.012. 0011.02	4600 RECOIL SPRING	
135	5.01.13.05141	M5xI4 SCREV	
136	3.001.0133.38	4601 STARTER COYER	10
137	3. 001.0241. 06	4201 STARTER INOB	10
138	4.012.0031.02	4600 STARTER ROPE Φ3x900	
139	3.001.0211.02	4600 TRIGGER IHTERLOCK ARM	
140	4. Oil. 0021.01	4600 BRAKE SPRING (SDB)	
141	4. Oil. 0041.08	4ü00 BIUKE ASM	
142	4. Oil. 0011.02	4600 BRAKE SPRING (HAIN)	
143	4. Oil. 0141.05	4600 GUIDE PIN SLEEVE	
144	4. Oil. 0041.06	4600 MAIN LBVER	
145	4. Oil. 0041.07	4600 SUB LEVBR	
146	4. 015. 0021.02	4600 TENSIONER PASSIVE BOLT	
147	4. 015. 0041.02	4600 TENSIONER PIN	50
148	4. Oil. 0061.01	4600 BRAKE SPRING	
149	5. 05. 01.06181	Φ6XΦ18Σ1. 5 PLATE WASHER	
150	5. 07. 03.04001	Φ4 SNAP RING	
151	4. Oil. 0081. 01	4600 RUBBER WASHER	
152	5.07. 03. 03011	Φ3. 5 SNAP RING	
153	5. öl. 02.42Q92	ST4.2x9.5 SCREW	
154	3. 001. 0151. 02	4600 BRAKE SPRING COVER	
155	4. Oil. 0091. 01	4600 STOPPER PLATE	10
156	5.01. 02.42062	ST4.2x6.5 SCREW	
157	4.015.0131.01	4600 TENSION PLATE	10
158	4. 015. 0011.02	4600 CHAIN TENSION ADJUSTER	15
159	4. 018. 0021. 31	4600 SAWDUST PROTECTOR	
160	5. 04. 01. 03091	Φ 3x9 PIN	
161	4. Oil. 0031. 02	4600 BRAKE BAND	10

162	5.04. 02. 04221	Φ4Ç22 PIN	
163	4. Oil. 0111.01	4600 HOOK	
164	4. Oil. 0101.01	4600 TORSIONAL SPRING	
165	3.001. 0361.09	4601 FRONT BAND GUARD	
166	5.07. 03.03001	Φ3 SNAP RING	
167	4. Oil, 0051. 03	4600 STOP PIN	
168	4. Oil. 0051. 01	4600 GUIDE PIN	
169	3.001.0113.20	4601 BRAKE LEVBR ASS'Y	10
170	5.02. 05. 08001	NUT US	
171	4. 007. 0041. 08	4600 FUEL PIPE	
172	5.04. 02. 05241	Φ5x24 SPRING PIN	
173	4. 007.0012. 01	4600FUEL FILTER ASS'Y	50
174	5. 01. 03. 39141	ST3.9x14 SCREW	
175	4. 019. 0071. 01	4600 FUEL BREATHER GASKET	
176	4. 013. 0021. 11	4600 DAMPER	
177	3. 001. 0391. 02	4600 DAMPER PLUG	
178	3. 001. 0043.14	4601 REAR HANDLE ASS'Y	1
179	4. 013. 0021. 12	4600 DAMPER	50
180	4. 007. 0101. 02	4600 FUEL TANK CAP WASHER	
181	3. 001. 0272. 02	4600 FUEL TANK CAP COMP.	
182	3. 001. 0081.10	4601 REAR HANDLE COVER	
183	4. 087.0022. 01	4600 BREATHER ASS'Y	
184	4. 007.0051. 03	Φ 6 CIRCLIP	
185	4. OD7.0041,13	4600 BR1ÄTHBR PIPB	
186	4. 009.0051. 04	2000 SWITCH (ON/OFF)	
187	4.009.0091. 02	2000 WIRB	
188	5.04.01. 03241	PIN	
189	5. 04. 01. 03141	PIN	
190	3. 001. 0321. 03	5800 LOCK BUTTON ARM	
191	3. 001. 0321. 04	5800 LOCK BUTTON	
192	4. 018.0041. 08	4601T INSULATION AL FOIL	
193	4. 000.0061. 06	GUIDE BAR COVER (18")	
194	4. 020.0052.13	SA* CHAIN (20BPX072X)	
195	4. 016.0022.09	GUIDE BAR (18-72-50-tt. 325)	
196	4.000.0111.03	SPUED BUMPER	
197	4.000.0073.01	SCRBW DRIVER	
198	4.000.0013.01	140HO SPARK PLUG WÄENCH	
199	4.000.0021.02	T25 WRENCH	
200	4. 000.0131.02	PAPER GASJET	20
201	4. 000.0042. 01	FUEL MIXTURE IETTLE	